



## Sectional Panel Doors



## Sectional

## Panel Doors

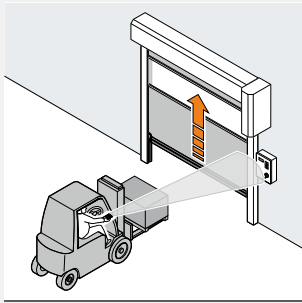
- Industrial structures tracked multipurpose doors opened to the ceiling are made of steel material.
- Factories, warehouses, industrial buildings as well as all usage is the ideal system for motorized and manual.
- 615 and 495 mm door panels used and each panel color electrostatic painted steel, aluminum or stainless steel hinges are connected with.
- 42 mm thick and 0.78 W/m<sup>2</sup>K thermal coefficient panels filled with polyurethane foam density from 40 kg/m<sup>3</sup>, the two pieces of steel, aluminum or stainless steel sheet is formed from.



- Inside the panels, there are strength steel sheets to increase the wind resistance.
- High insulation against wind and rain are provided with EPDM seals on the sides, bottom and top.
- Equilibrated with spring system doors, engine can be operated manually without the need for easily.
- The door has security system against spring break and throw the rope during the operation of the door.
- There are specific details available that prevents finger trap on the panel and rails.

# Accessories

## Operating And Control Options



Radio Remote Control



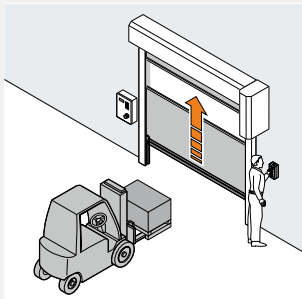
2 Channels Remote Control



868 Mhz 2 Channels Remote Control



4 Channels Remote Control



Hand Buttons



Single Open Button, IP 65



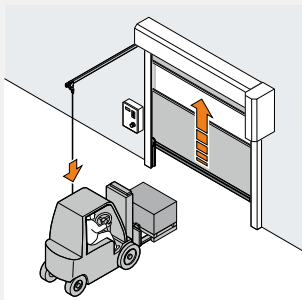
Open-Close Button, IP 65



Mushroom Button, IP 65



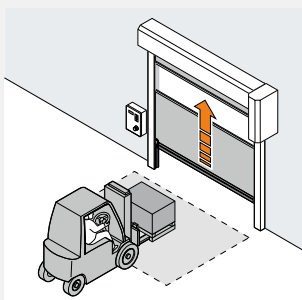
Hand Censor IP 65



Hand Operating



Pull Switch IP 65

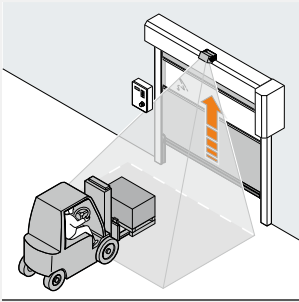


Induction Loops



Loop Detector





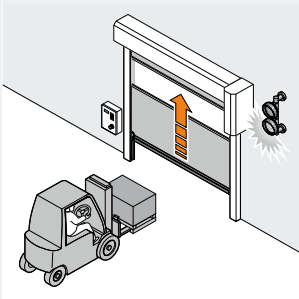
Remote Control



Radar Motion Detector  
IP 65



Infrared Motion Detector  
IP 65



Warning Systems



Red-Green Warning Light  
IP 65



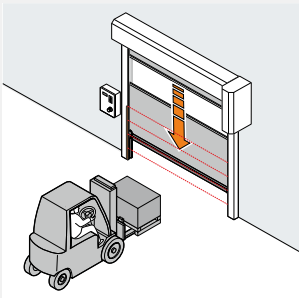
Siren Flasher  
IP 65



Green Warning Light  
IP 65



Red Warning Light  
IP 65



Security Systems



Photocell



Length Photocell

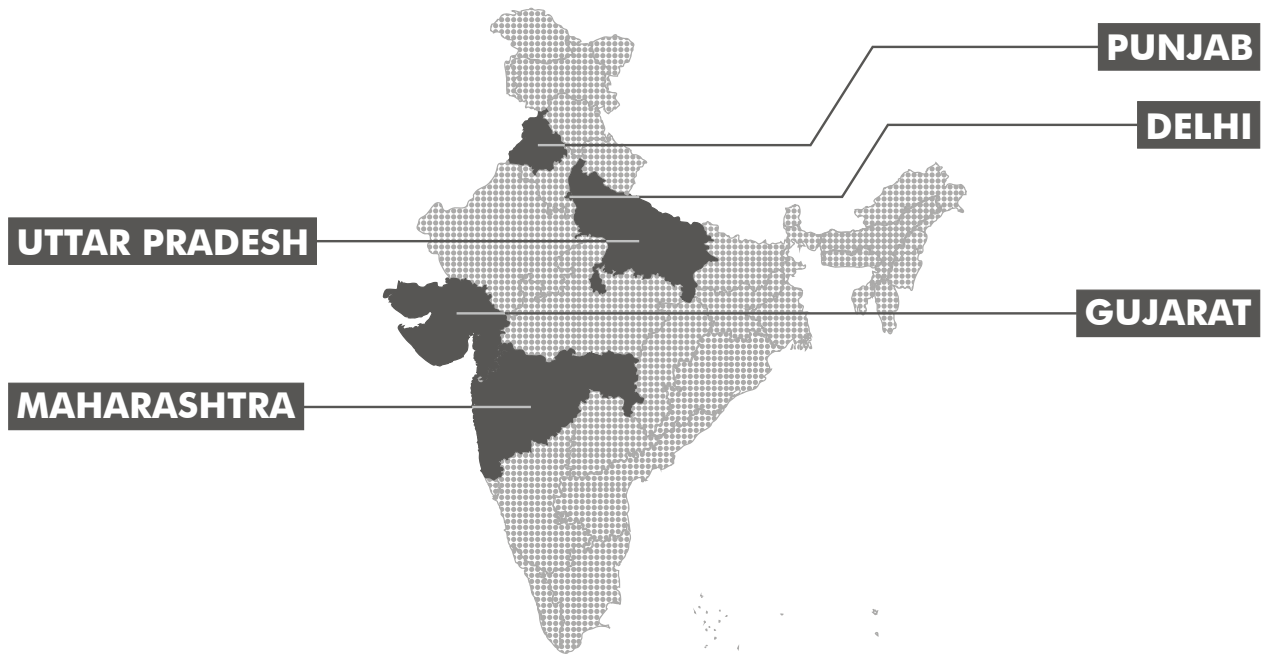
## Color Options

Standard



\* You Should Choose The Special Colours According To Ral Codes.

# OUR OFFICES



**Toshi Automatic Systems Pvt. Ltd.**



📍 D-132-133/2, Bulandshahar Industrial Area, Ghaziabad - 201009, U.P., India

☎ +91-9711-186-186

✉ info@toshiautomatic.com

🌐 www.toshiautomatic.com