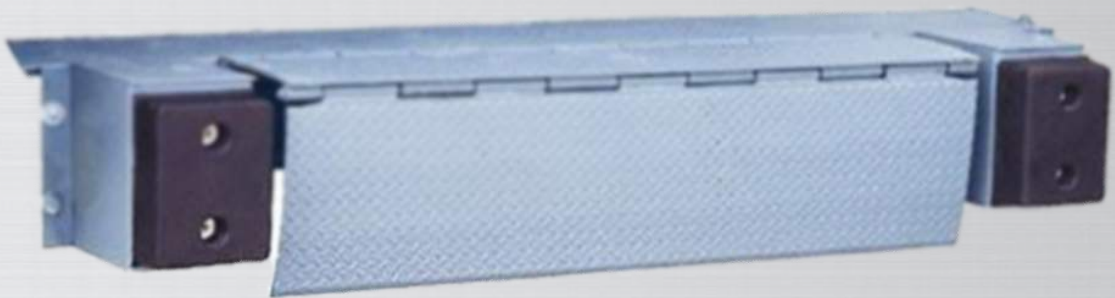


EDGE-OF DOCK LEVELER IDM-EODL 2007 (6T)

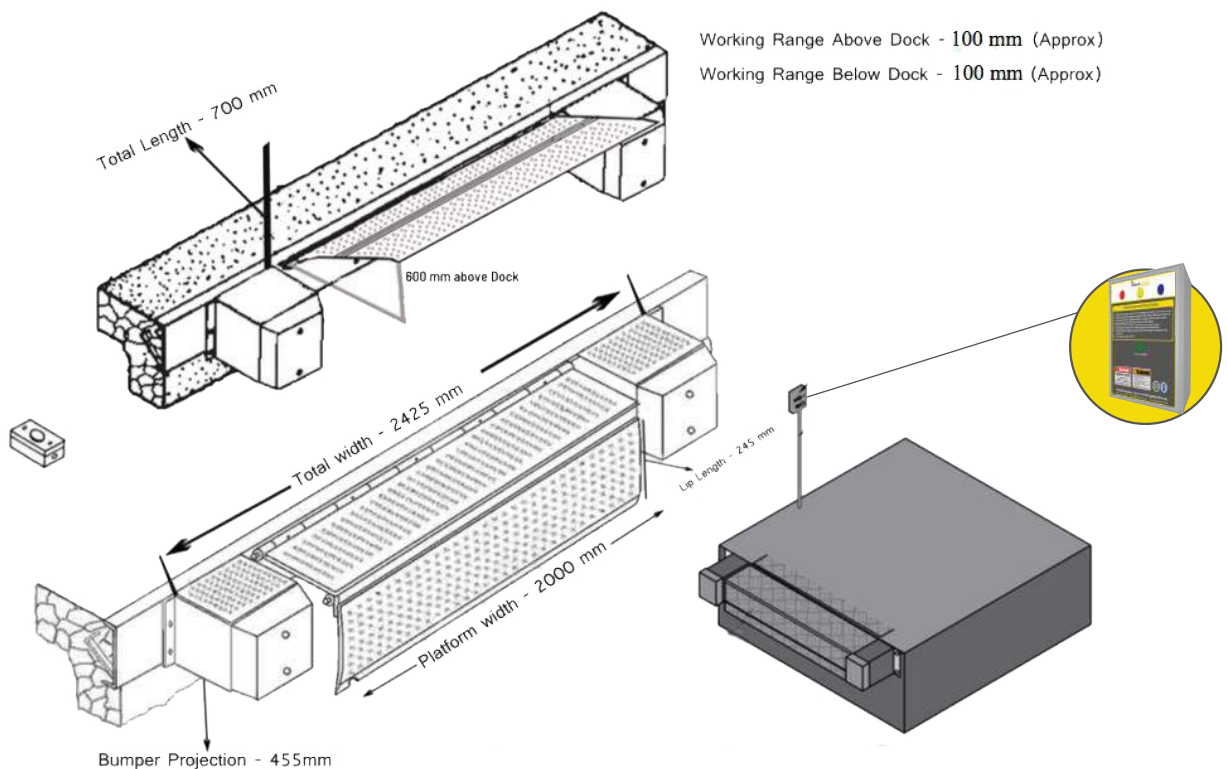


Identify to Automate

About the Product

Identimatic Dock Levelers enable smooth loading and unloading of material by acting as a bridge between the trailer bed and loading platform to compensate for the height differential. They are designed keeping in mind the safety, convenience and efficiency of the user. As opposed to a dockboard, Edge-of Dock Levelers are fixed onto the loading dock. Available in both manual (spring loaded) and hydraulic models, their durable construction is in conformity with European Directive EN 1398.

Salient Features



1 Robust Construction

CE certified, built in conformity with European Directive EN 1398.



2 Reliable Hydraulic Operator

CE certified electro-hydraulic operator with IP 54 ingress protection



3 Make-in-India Control Panel

Dock-o-matic control unit with deadman control and emergency stop.



4 Self-cleaning Hinge Design

Lip hinges built to reduce deposition of debris and dust for perfect alignment and resistance.



5 Anti-slip Protection

Durbar style diamond patterned high-grade steel with 2 mm height for main platform and hinged lip.



6 Safety Signalling Markers

Yellow-black stripes under the leveller rim to provide clear visibility during operation.



Technical Features



PARAMETERS	DESCRIPTION
------------	-------------

Edge-of Dock Leveler, designed in conformity with European Directive EN 1398:2009, consisting of chequered platform with hinged lip made of profiled and anti-slip steel and capacity of 6000 Kg according to EN1398, which means total weight forklift truck plus load is maximum load distributed over 2 wheels (one axle); this is point loads (wheel-prints)

PRODUCT DETAILS

Product	Edge-of Dock Leveler
Standard Models	IDM-EODL 2007 (6T)
Capacity (kg)	6000 Kg
Operation (Standard) *Optional	Mechanical (with the help of an Operating Handle) *Electro-Hydraulic

MECHANICAL DETAILS

Platform Width*	2000 mm
Platform Length*	700 mm
Lip Length	400 mm
Working Range above dock	100 mm
Working Range below dock	100 mm
Rubber Bumpers	1 Set: 330 x 250 x 110 mm
Finish (Main Platform)	2 coats of Jet Black epoxy PU paint (RAL 9005)
Finish (Hinged Lip)	2 coats of Signal Yellow epoxy PU paint (RAL 1003)
Mounting Surface	RCC / ISMC

ELECTRO-HYDRAULIC OPERATOR DETAILS

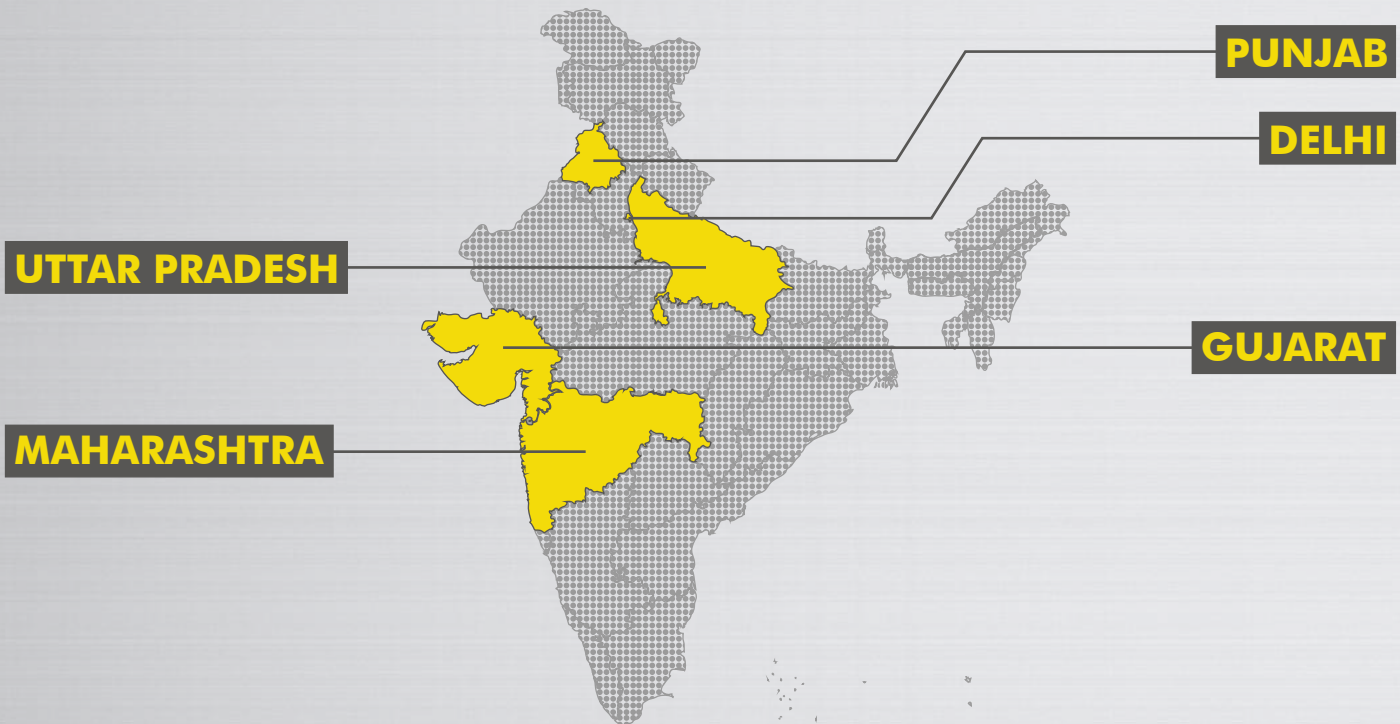
Electric Motor	1.5 Kw
Voltage	380V, 3 Phase
RPM	1420
Protection rating	IP 54
Control Panel	Single-station push button (deadman control) with Emergency Switch

All dimensions, unless otherwise specified, are in mm.


Our Clients


 AIS Asahi India Glass Ltd.	 UFLEX 'A Part of your daily life'	 MAGNETI MARELLI	 HONDA
 MARUTI SUZUKI	 CADILA PHARMACEUTICALS LIMITED	 Reliance Industries Limited	 Nestle
 Amway	 amazon	 भारतीय विमानपत्तन प्राधिकरण AIRPORTS AUTHORITY OF INDIA	 鹿島 KAJIMA CORPORATION


Our Offices



Toshi Automatic Systems Pvt. Ltd.

 D-132-133/2, Bulandshahar Industrial Area, Ghaziabad - 201009, U.P., India

 +91-9711-186-186

 info@toshiautomatic.com

 www.toshiautomatic.com

